



PRODUCT SPECIFICATION

DIMENSIONS MEETING ASTM D1785/D2665, NON-NSF SCH40 PVC DWV PIPE SOLVENT WELD (For Drainage applications only)

Hawk Plastic’s ASTM D1785/D2665 SCH40 Pipe is produced to meets all the dimensions of the industry standards referenced. This product meets the needs of commercial, residential and industrial non-pressure applications.

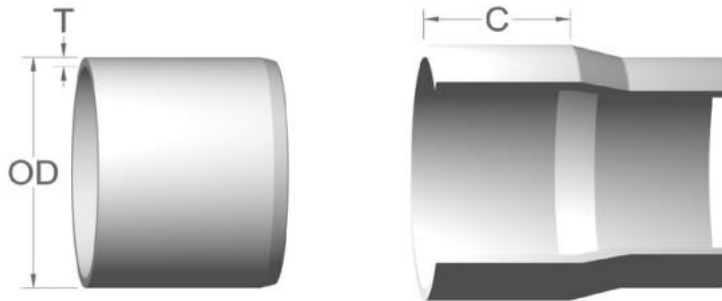
SPECIFICATIONS	
Pipe Standard:	ASTM D1785 / D2665
Applications:	DWV
Nominal Sizes:	1.5", 2", 3", 4", 6", 8"
Diameter Std:	Iron Pipe Size (IPS)
Lay Length:	10' or 20'
Color:	White
Pipe Compound:	ASTM D1784 Cell Class 12454
Pipe Options:	Plain End or Belled End, Solid Wall and 2 or 3 Hole Perforated Pattern
Pipe Joint Standard:	ASTM D2672
Installation Standard:	ASTM D2774 and ASTM D2855

Hawk Plastics 193 First Rd. Childersburg, AL 35044 Phone: 800-467-4295 Fax: 256-378-3079



PRODUCT SPECIFICATION

DIMENSIONS MEETING ASTM D1785/D2665, NON-NSF SCH40 PVC DWV PIPE SOLVENT WELD (For Drainage applications only)



D1785 / D2665 NON-NSF SCH40 PIPE DIMENSIONS					
Nom. Size	Min. Wall		Internal Diameter	Approx. Bell Diameter (BD)	Bell Depth (C)
	Outside Diameter (OD)	Thickness (T)			
1.5"	1.900	0.145	1.610	2.222	2.500
2"	2.375	0.154	2.067	2.715	3.250
3"	3.500	0.216	3.068	3.974	4.250
4"	4.500	0.237	4.026	5.020	5.500
6"	6.625	0.280	6.065	7.241	7.000
8"	8.625	0.322	7.981	9.338	7.500

NOTES:

All dimensions are in inches

These Dimensions are for estimating purposes only

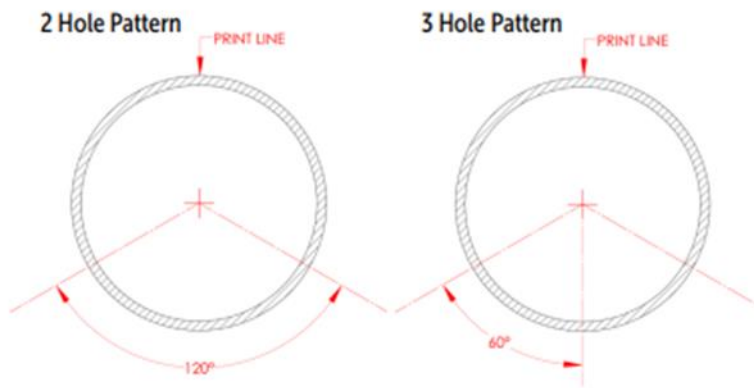
SDR = Standard Dimension Ratio

Hawk Plastics 193 First Rd. Childersburg, AL 35044 Phone: 800-467-4295 Fax: 256-378-3079



PRODUCT SPECIFICATION

DIMENSIONS MEETING ASTM D1785/D2665, NON-NSF SCH40 PVC DWV PIPE SOLVENT WELD (For Drainage applications only)



D1785 / D2665 NON NSF SCH40 PERFORATION PATTERNS					
Nom. Size	Perforation Rows	Circumferential Hole Spacing	Longitudinal Hole Spacing	Hole Diameter	Inlet Area (in ² /ft pipe)
4"	2	120°	5.000	0.500	0.942
4"	3	60°-60°	5.000	0.500	1.414
6"	2	120°	5.000	0.500	0.942
6"	3	60°-60°	5.000	0.500	1.414
8"	2	120°	5.000	0.500	0.942
8"	3	60°-60°	5.000	0.500	1.414

NOTE: AASHTO M-278 Perforation pattern is also available

Hawk Plastics 193 First Rd. Childersburg, AL 35044 Phone: 800-467-4295 Fax: 256-378-3079