



**PRODUCT SPECIFICATION**

**ASTM D3034 PVC GRAVITY SEWER PIPE**

**SDR35 Non-Gasketed**

Hawk Plastic’s ASTM D3034 Non-Gasketed bell PVC pipe is manufactured to meet all the industry standards in addition to Hawk’s own rigorous quality control requirements.

Our D3034 sewer is available in both solid wall and various perforated patterns.

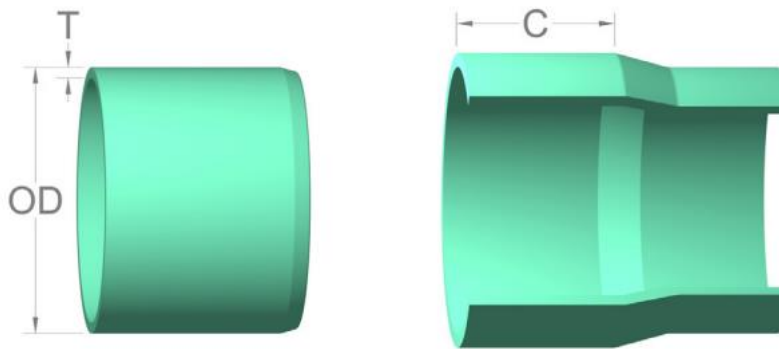
<b>SPECIFICATIONS</b>	
Pipe Standard:	ASTM D3034
Nominal Sizes:	4", 6", 8", 10", 12"
Dimension Ratios & Pipe Stiffness:	SDR35- 46 psi
Pressure Ratings:	Not rated for pressure applications
Lay Length:	10' or 20'
Color:	Green or White
Pipe Compound:	ASTM D1784 Cell Class 12454 or 12364
Pipe Options:	Solid Wall, 2 Hole Perforated or 3 Hole Perforated
Installation Standard:	ASTM D2321 & ASTM 2855

**Hawk Plastics 193 First Rd. Childersburg, AL 35044 Phone: 800-467-4295 Fax: 256-378-3079**



**PRODUCT SPECIFICATION**

**ASTM D3034 PVC GRAVITY SEWER PIPE**



<b>D3034 NON-GASKETED PIPE DIMENSIONS</b>							
Nom. Size	Outside Diameter (OD)	SDR	Pipe Stiffness (psi)	Min. Wall Thickness ( T )	Internal Diameter	Approx. Bell Diameter ( BD )	Bell Depth ( C )
4"	4.125	35	46	0.120	3.975	5.000	3.750
6"	6.275	35	46	0.180	5.915	7.375	4.625
8"	8.400	35	46	0.240	7.920	9.625	5.250
10"	10.500	35	46	0.300	9.900	12.250	5.875
12"	12.500	35	46	0.360	11.780	14.375	6.500

**NOTES:**

All dimensions are in inches

These Dimensions are for estimating purposes only

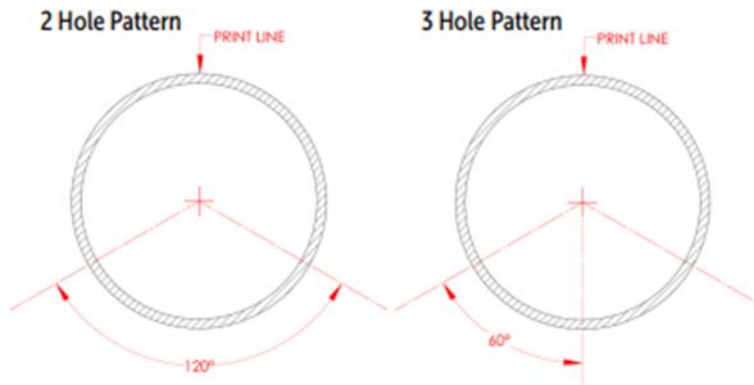
SDR = Standard Dimension Ratio

**Hawk Plastics 193 First Rd. Childersburg, AL 35044 Phone: 800-467-4295 Fax: 256-378-3079**



**PRODUCT SPECIFICATION**

**ASTM D3034 PVC GRAVITY SEWER PIPE**



<b>D3034 PIPE PERFORATION PATTERNS</b>					
Nom. Size	Perforation Rows	Circumferential Hole Spacing	Longitudinal Hole Spacing	Hole Diameter	Inlet Area (in <sup>2</sup> /ft pipe)
4"	2	120°	5.000	0.500	0.942
4"	3	60°-60°	5.000	0.500	1.414
6"	2	120°	5.000	0.500	0.942
6"	3	60°-60°	5.000	0.500	1.414
8"	2	120°	5.000	0.500	0.942
8"	3	60°-60°	5.000	0.500	1.414

NOTE: AASHTO M-278 Perforation pattern is also available

**Hawk Plastics 193 First Rd. Childersburg, AL 35044 Phone: 800-467-4295 Fax: 256-378-3079**